

PLATI SBC-030 and SBC-030K



Above counter basin, rectangular | Slimline Series

The refined characteristics of the Slimline basins will bring a sense of purity and natural elegance to any bathroom.

The superfine rim and slender, precise lines of the Slimline Series of basins are made possible through the superior properties of Superclay, an exceptionally durable ceramic that has a 20% higher tensile strength than normal ceramic.

ORDER CODE **WHITE – WITH NANOGLAZE* (GLOSS FINISH)**
SBC-030

BLACK (SILK MATTE FINISH)
SBC-030K

TAPHOLE No taphole.

WASTE Suits standard 40 mm non-overflow waste (not supplied).

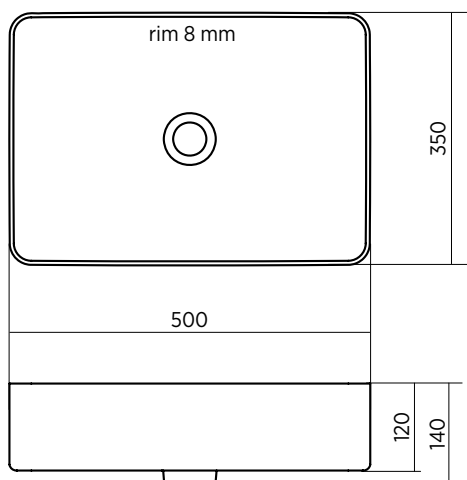
OVERFLOW No overflow.

MATERIAL **WHITE:** White vitreous china with ultra-smooth nanoglaze surface.

BLACK: Black vitreous china, silk matte finish.

FIXING Always use the actual basin to verify cutout.

Use acetic cured silicone sealant. Do not use epoxy type adhesives.



 Nanoglaze surface – ultra-smooth and anti-bacterial, WHITE ONLY

SEIMA
bathroom | kitchen | laundry

seima.com.au

Please note

- All measurements are in millimetres.
- Dimensions are nominal and subject to normal ceramic manufacturing variations of ± 5 mm.
- Fixing: Use acetic cured silicone sealant. Do not use epoxy type adhesives.
- Always use the actual basin to verify cutout.
- Specifications may vary without notice as part of our continuous improvement practices.
- Clean with a damp cloth. Do not use abrasive cleaners, liquids or pastes.

DS-SBC-030 | v 2.0